

# THE DFW DOUBLE-WALL METER BOX SPECIFICATION

We are pleased to submit the suggested specification on the DFW Double Wall Box:

The Double Wall meter box shall be rectangular in shape with the following dimensions:

**Model No.: DFW3612**

- 20 1/4" Top Length Outside Dimension
- 15 1/4" Top Width Outside Dimension
- 15 3/8" Top Length Opening Dimension
- 10 1/4" Top Width Opening Dimension
- 12" Depth


**Model No.: DFW3812**

- 23 Top Length Outside Dimension
- 22 1/2" Top Width Outside Dimension
- 17" Top Length Opening Dimension
- 16 1/2" Top Width Opening Dimension
- 12" Depth

**Model No.: DFW6512 & DFW6524**

- 35 Top Length Outside Dimension
- 22 1/2" Top Width Outside Dimension
- 27 1/2" Top Length Opening Dimension
- 16 1/2" Top Width Opening Dimension
- 12" or 24" Depth

The Double Wall meter box shall be molded out of modified polyethylene material with the following ASTM specifications:

PROPERTIES	ASTM TEST METHOD	MINIMUM TEST VALUE	 <i>Responsible Recycler</i>
Tensile strength @ yield	D638	2300 psi	
Ultimate Elongation (%)	D638	765	
Density	D1505	0.932	
Flexural Modulus	D790	73,000 psi	
Deflection Temperature	D648	88c @ 66 psi	
Melt Index (dg/min.)	D1238 Cond. E	5.0	
UV Stabilizer	Yes		

For use in light vehicular traffic areas, the Double Wall meter box shall withstand a 5,000 lb. single axle load over a 10" x 10" area when using a solid metal cover.

The Double Wall meter box shall have crush resistant ribbing along the outside of the box and an earth retaining ring to help prevent sinking or floating while in the ground.

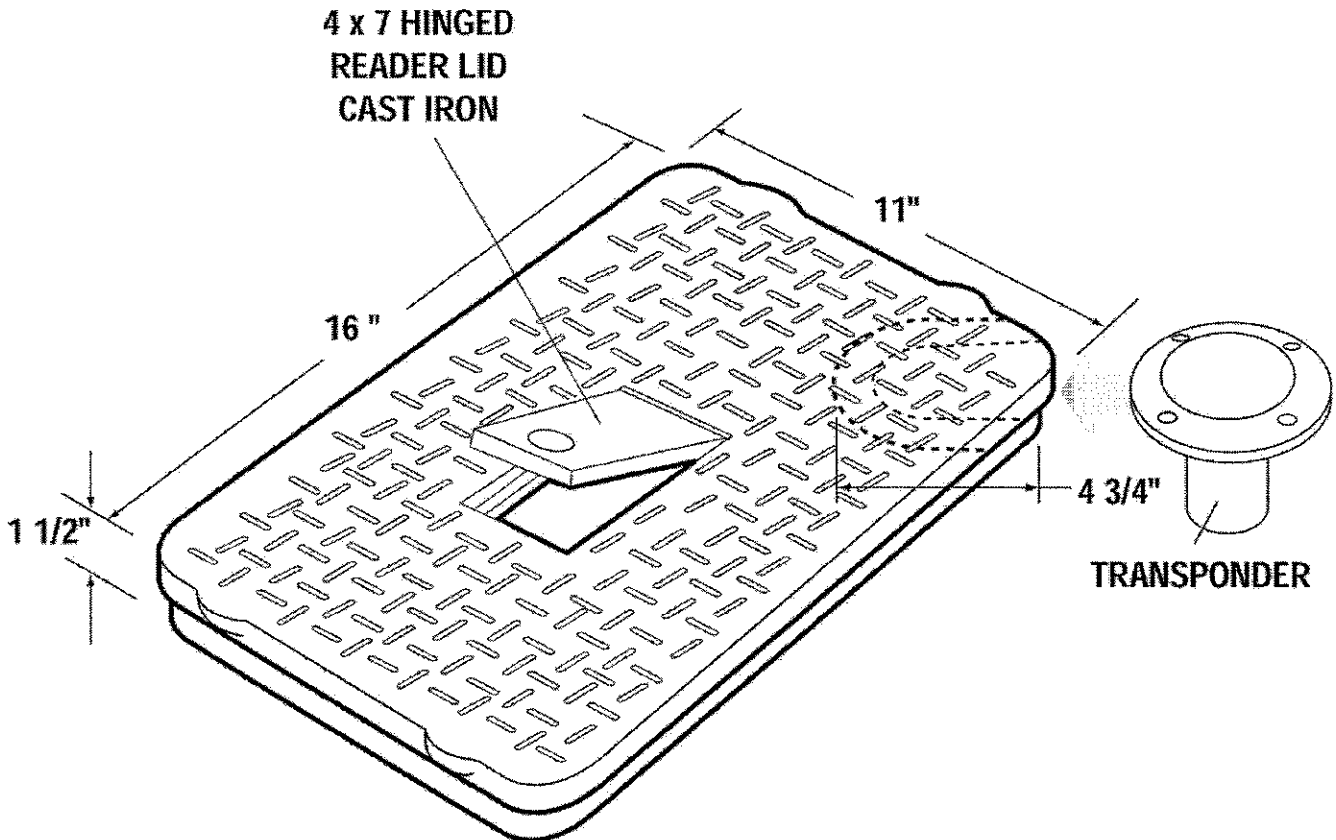
The meter box shall be manufactured by DFW Plastics or an approved equal.



# Rotec Meter and Valve Box Series

## DFW-36 CIRSM-LID

### "E" SERIES LID



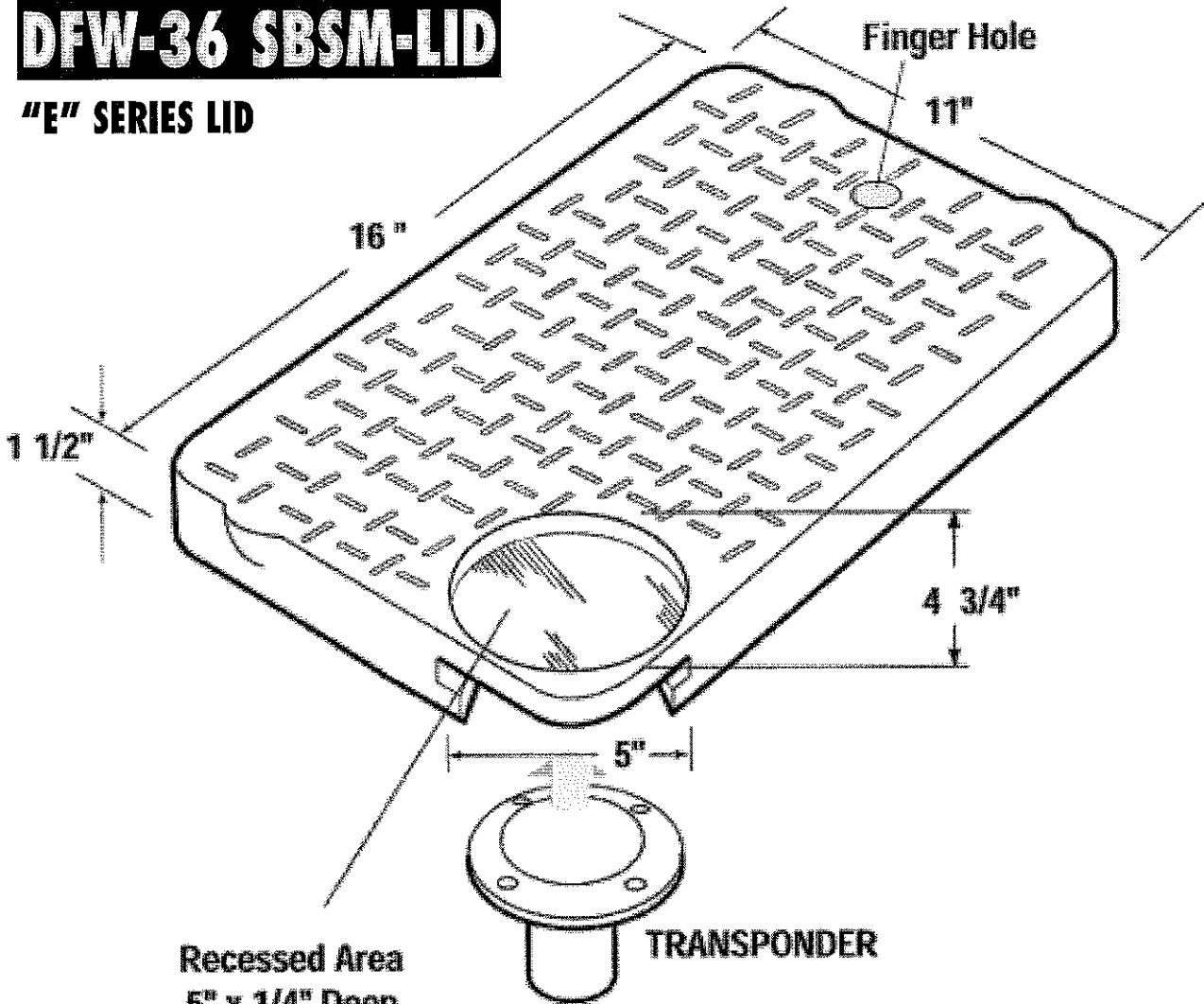
- Overlapping Lid with Cast Iron Reader and AMR Slide Mount
- AMR Transponder slides into a molded holder under The Lid to provide Security and Strength
- Lid fits a standard concrete box (No. 36)
- Skid Resistant Surface Texture

Made in USA  
Pat. Pending

# Rotec Meter and Valve Box Series

## DFW-36 SBSM-LID

### "E" SERIES LID



Recessed Area  
5" x 1/4" Deep  
FOR TOUCH READ  
TRANSPONDER

- Flush Mount Lid with AMR Slide Mount
- Transponder can sit in "Recess" Hole or slide into a molded holder under the Lid to provide security and strength
- Lid fits a standard concrete box (No. 36)
- Skid Resistant Surface Texture

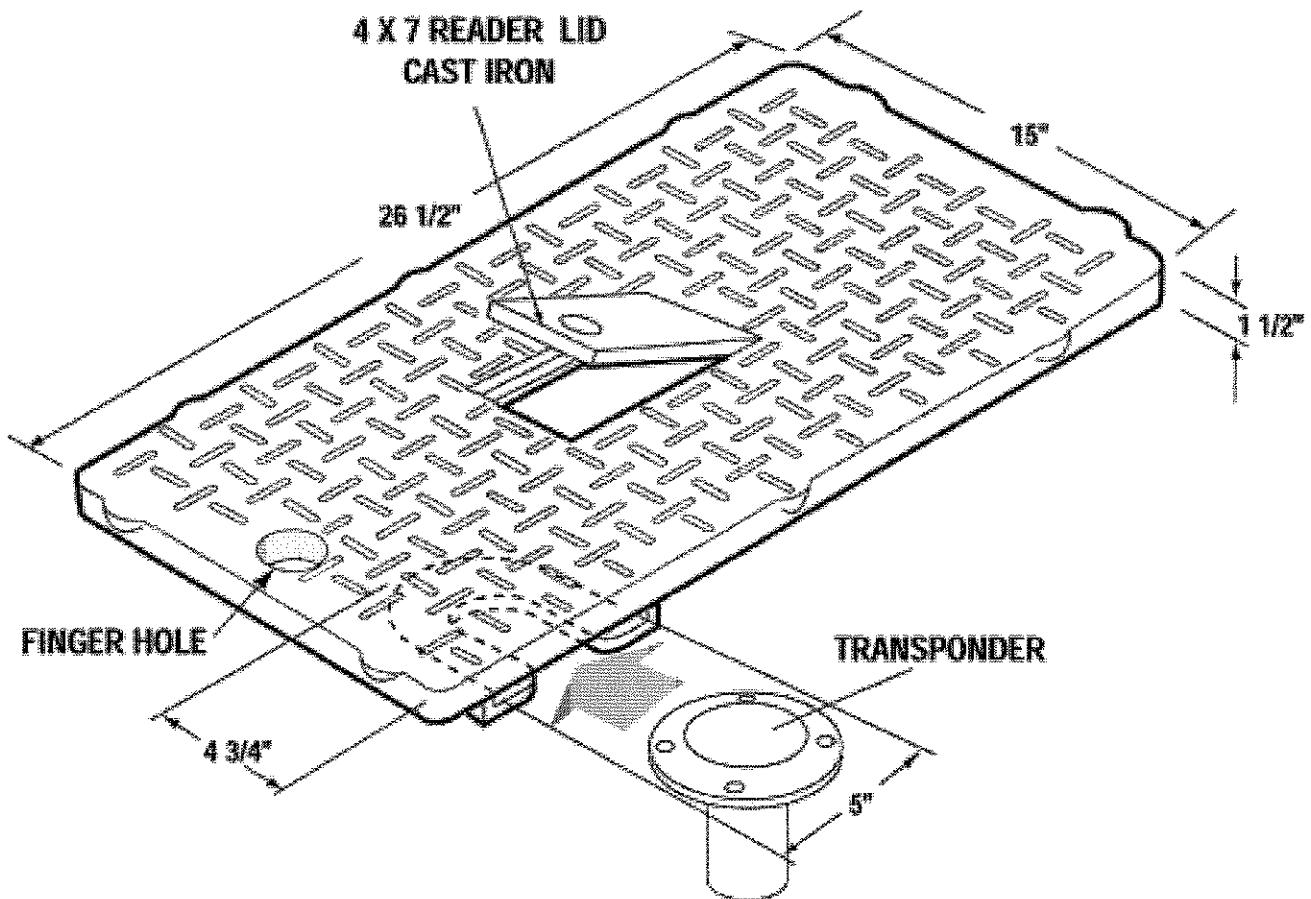
Made in USA  
Pat. Pending

# Rotec Meter and Valve Box Series

## DFW-65 CIRSM-LID

### "E" SERIES LID

- Flush Mount Lid with Cast Iron Reader and AMR Slide Mount
- AMR Transponder slides into a molded holder under the lid to provide security and strength
- Lid fits a No. 65 standard concrete box
- Molded out of Polyethylene plastic
- Skid resistant surface texture



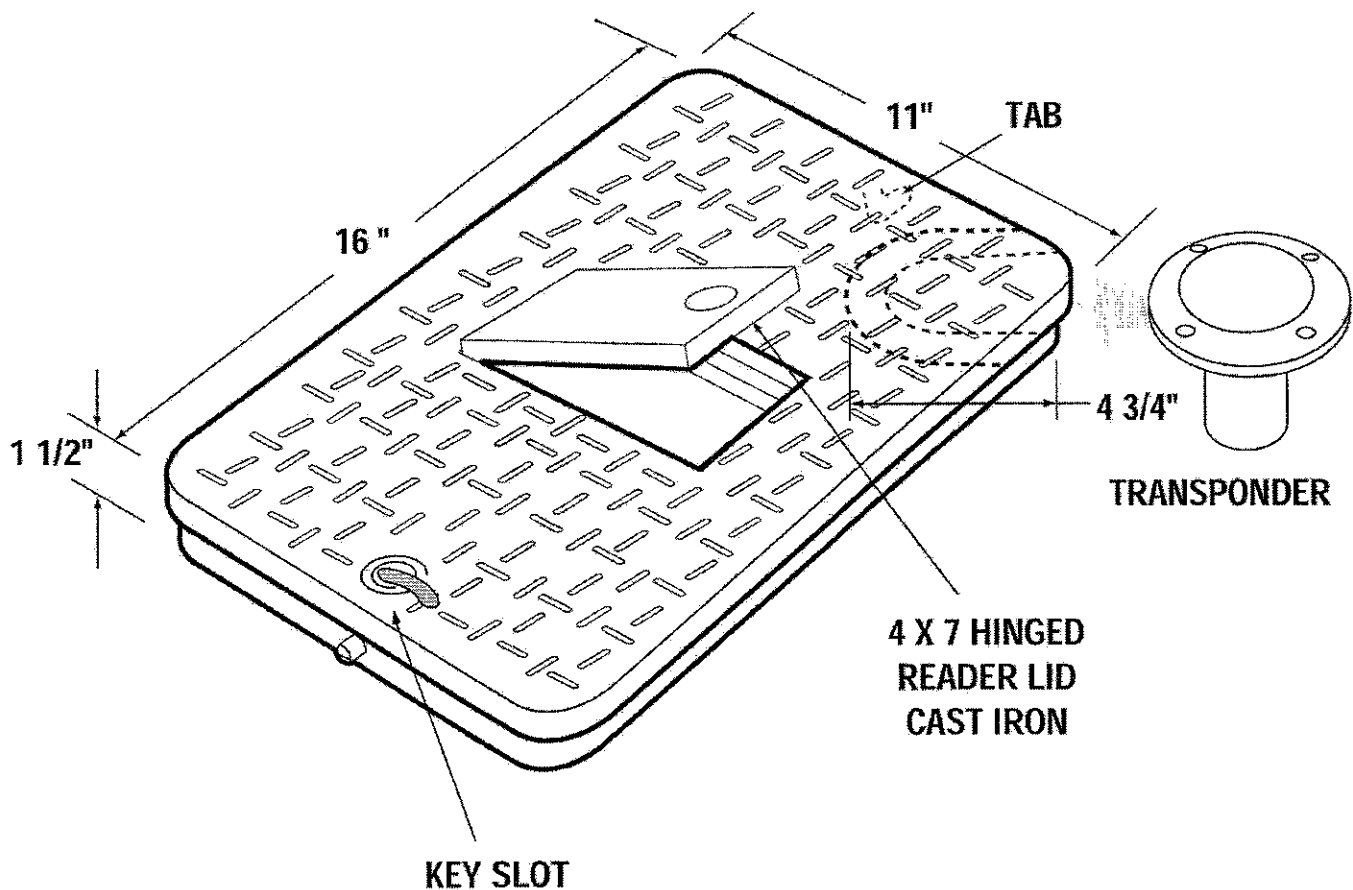
Made in USA  
Pat. Pending

# Rotec Meter and Valve Box Series

## DFW-3612 LCIRSM-LID

### "E" SERIES LID

- Overlapping Lid with Cast Iron Reader and AMR Slide Mount and Spring Loaded Lock
- AMR Transponder slides into a molded holder under The Lid to provide Security and Strength
- Lid fits a "Double-Wall" 3612 or Alliance Series 1200
- Skid Resistant Surface Texture



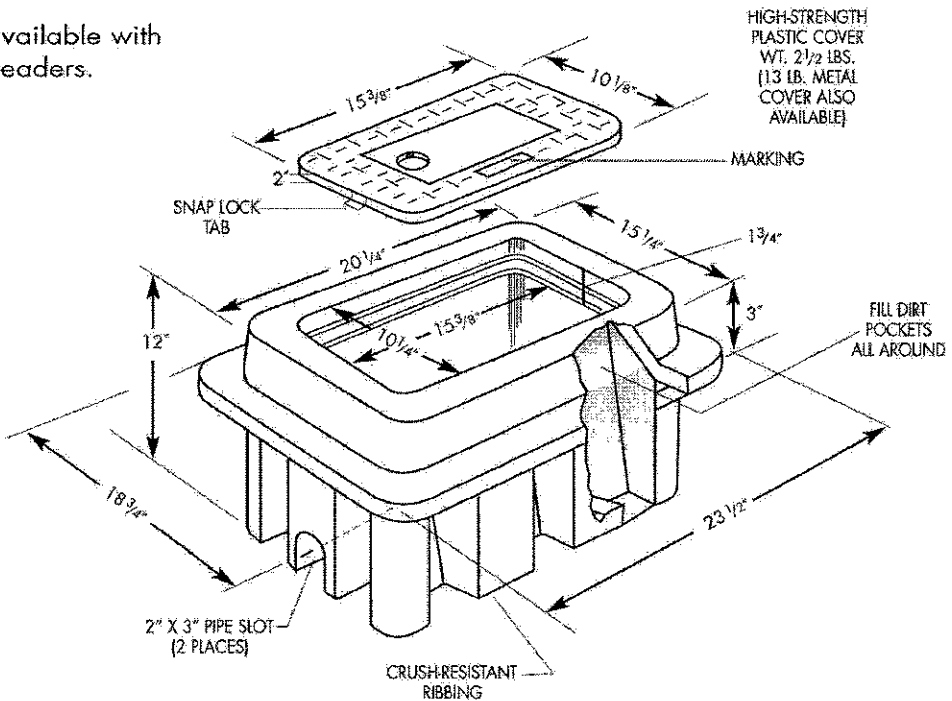
Made in USA  
Pat. Pending

# THE DFW DOUBLE-WALL METER BOX

Patent No. 5333750

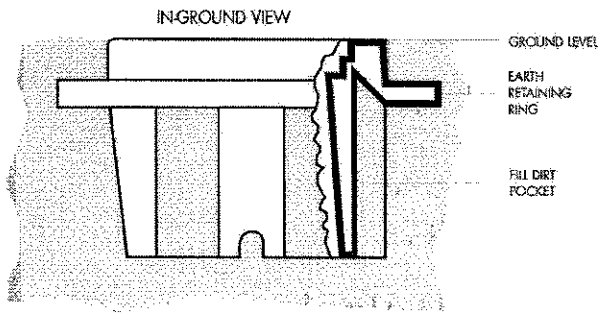
## MODEL DFW-3612 12" Rectangular Double-Wall Box

- Available with plastic or metal cover.
- Plastic covers available with plastic or iron readers.



### FEATURES:

- Lightweight for ease of handling.
- Structural strength prevents breakage during shipping.
- Flange design for prevention of settling.
- Light vehicular traffic: For use in commercial sidewalks, paved pedestrian traffic areas, and/or parkway strips adjacent to curbs and any other area subject to occasional and/or light vehicular traffic only. Based on a 5,000-lb. single axle load over any 10" x 10" area (when used with metal cover).



Patented fill dirt pockets sit securely among dirt or concrete, providing all-around protection against settling and sidewall collapse.

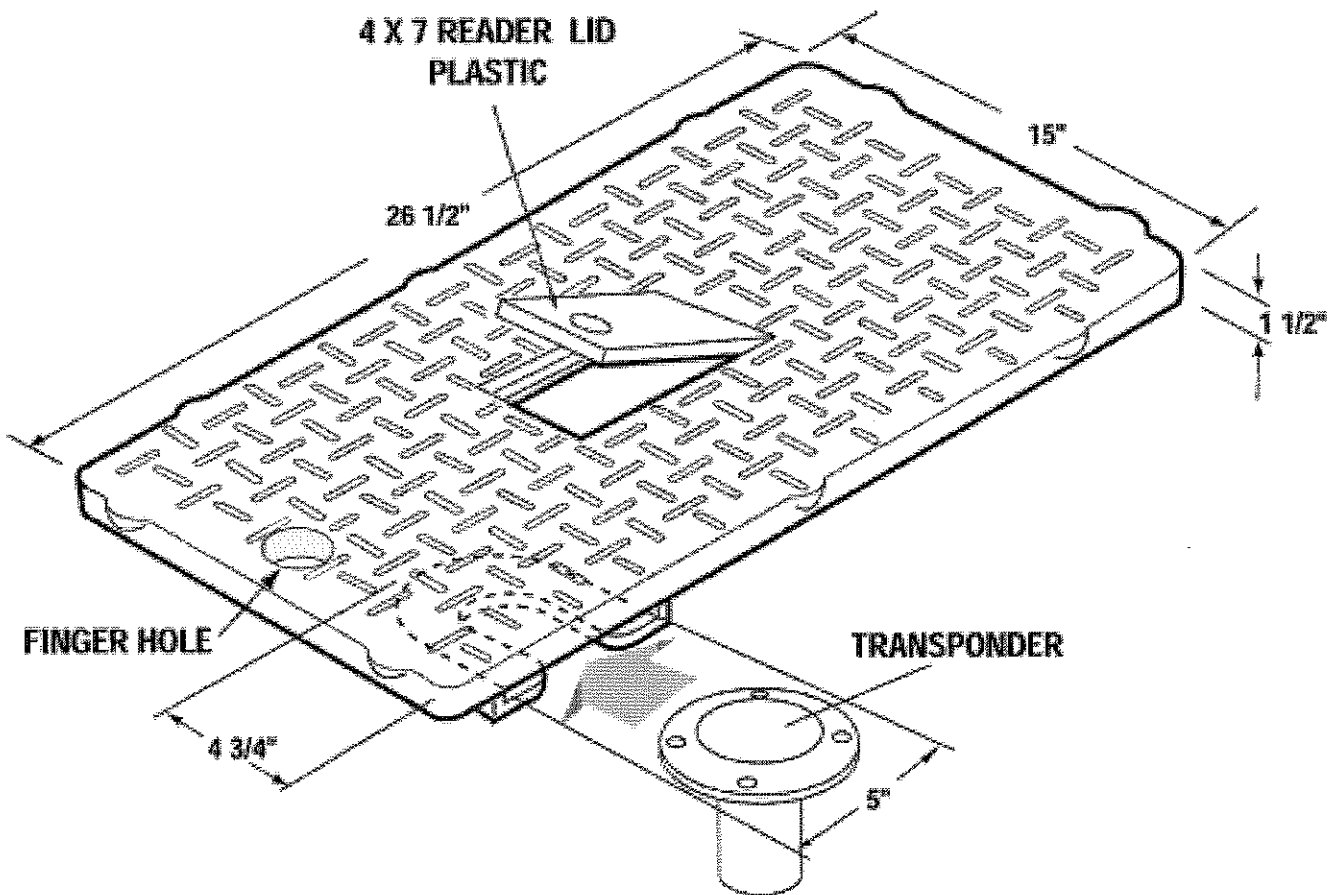


# Rotec Meter and Valve Box Series

## DFW-65 RDSM-LID

### "E" SERIES LID

- Flush Mount Lid with Plastic Reader and AMR Slide Mount
- AMR Transponder slides into a molded holder under the Lid to provide security and strength
- Lid fits a No. 65 standard concrete box
- Molded out of Polyethylene plastic
- Skid resistant surface texture



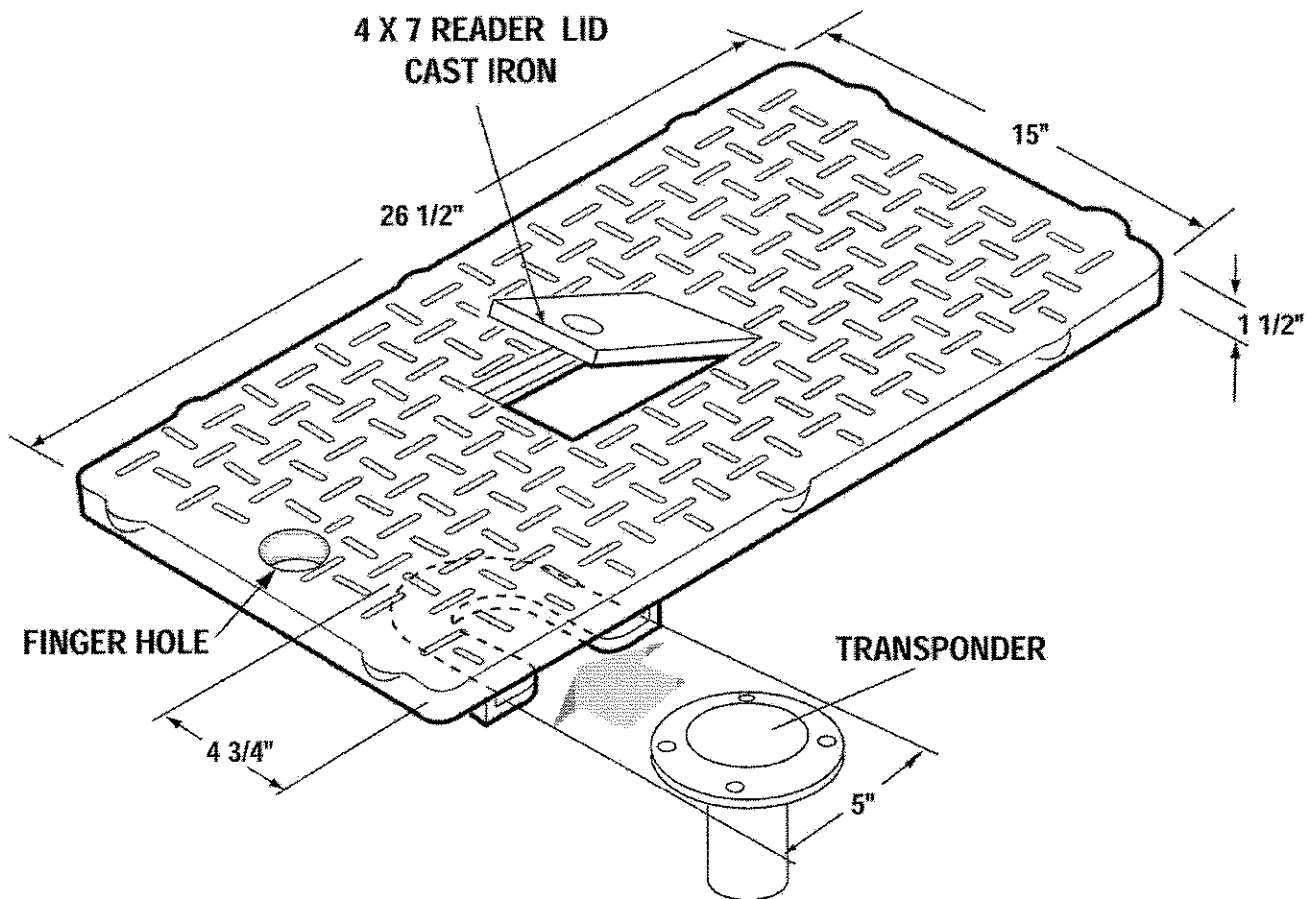
Made in USA  
Pat. Pending

# **Rotec** Meter and Valve Box Series

## **DFW-65 CIRSM-LID**

### **"E" SERIES LID**

- Flush Mount Lid with Cast Iron Reader and AMR Slide Mount
- AMR Transponder slides into a molded holder under the Lid to provide security and strength
- Lid fits a No. 65 standard concrete box
- Molded out of Polyethylene plastic
- Skid resistant surface texture



Made in USA  
Pat. Pending

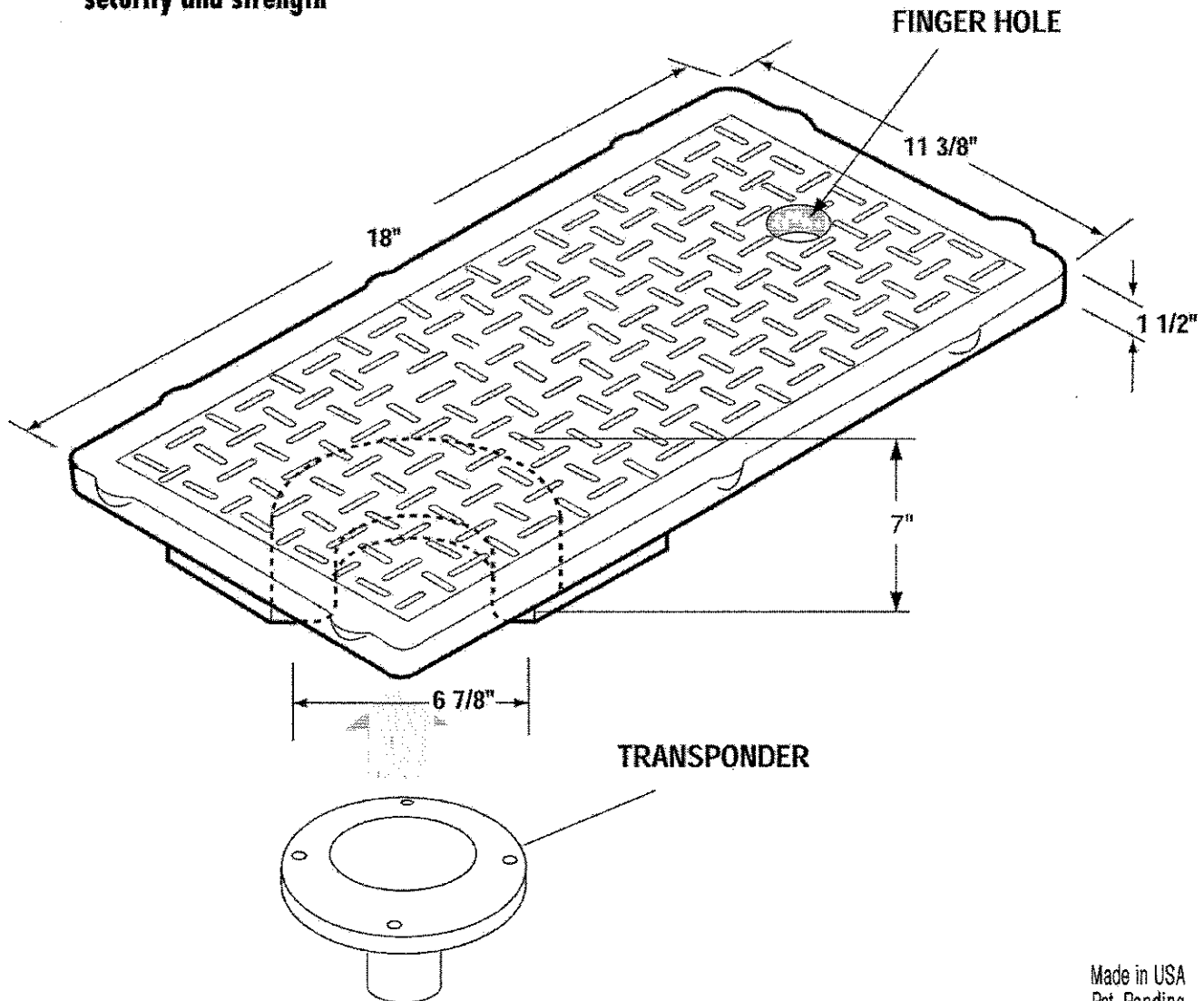


# Rotec Meter and Valve Box Series

## DFW-37 SBSM-LID

### "E" SERIES LID

- Flush Mount Lid with AMR Slide Mount
- AMR Transponder slides into a molded holder under the Lid to provide security and strength
- Lid fits a No. 37 standard concrete box
- Molded out of Polyethylene plastic
- Skid Resistant Surface Texture



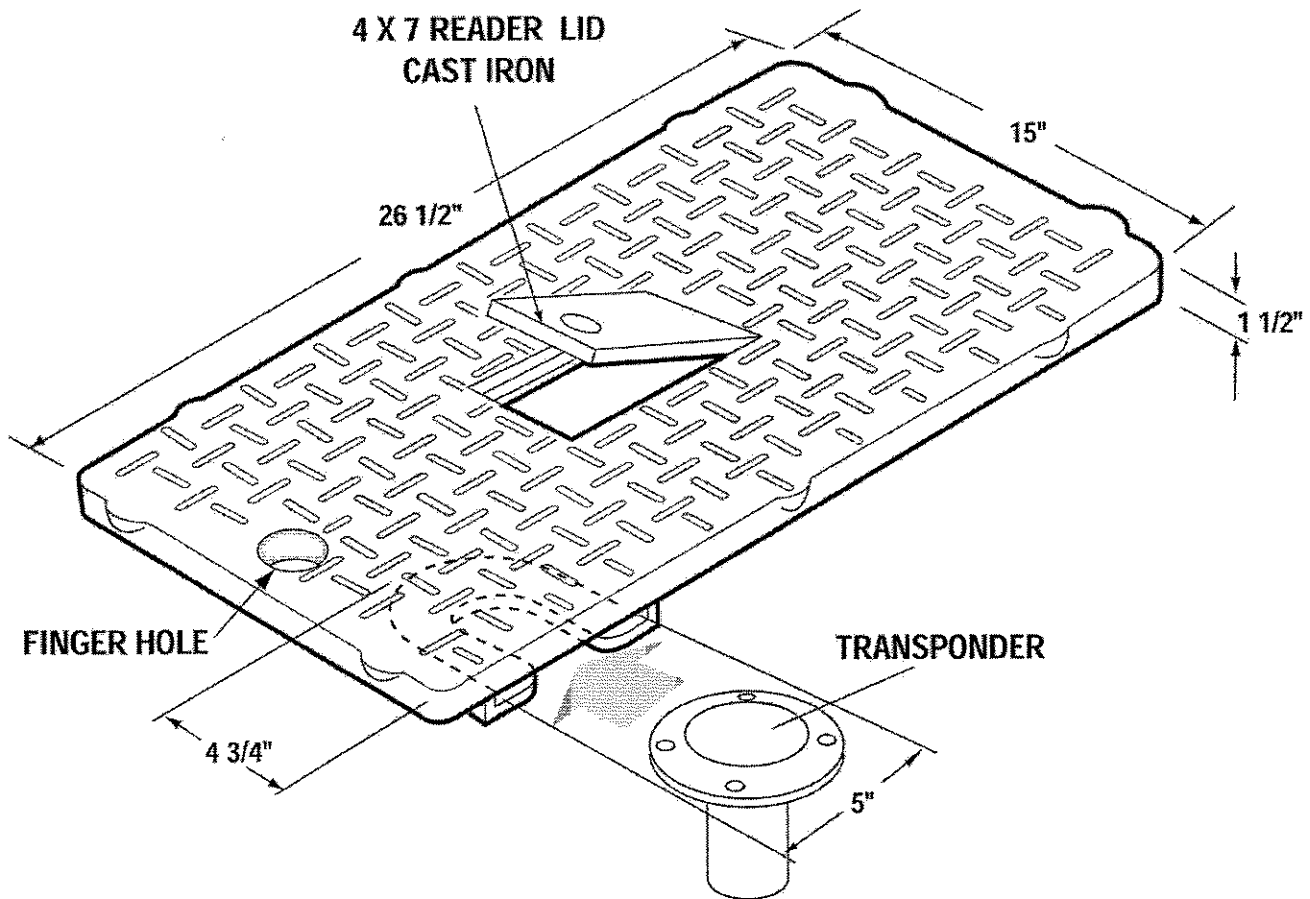
Made in USA  
Pat. Pending

# Rotec Meter and Valve Box Series

## DFW-65 CIRSM-LID

### "E" SERIES LID

- Flush Mount Lid with Cast Iron Reader and AMR Slide Mount
- AMR Transponder slides into a molded holder under the lid to provide security and strength
- Lid fits a No. 65 standard concrete box
- Molded out of Polyethylene plastic
- Skid resistant surface texture



Made in USA  
Pat. Pending