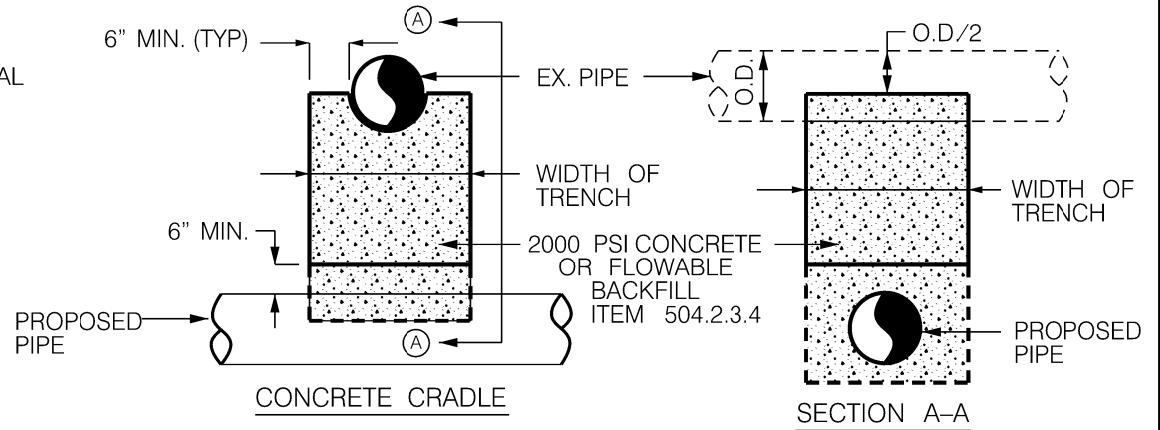
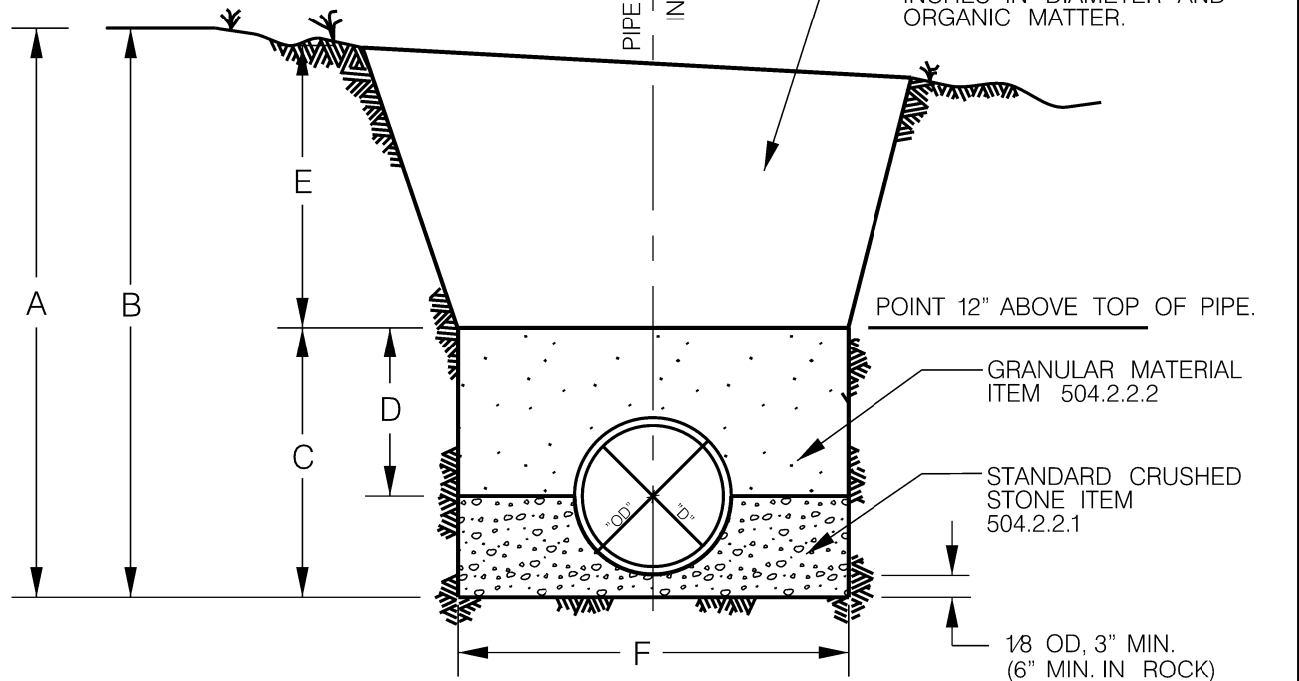


- A COMPACTION BY FLOODING OR JETTING IS NOT PERMITTED.
  - B 95% STANDARD PROCTOR DENSITY, HAND OPERATED MECHANICAL TAMPERS MAY BE USED.
  - C CLASS B+ EMBEDMENT, NOTE: SEE ITEM 504.5.2.4 OF THE "PUBLIC WORKS CONSTRUCTION STANDARDS"
  - D EMBEDMENT BACKFILL
  - E TRENCH BACKFILL
  - F OD + 16" MINIMUM
- MAX. TRENCH WIDTH = OD + 24" (D=42" OR LESS)  
 = OD + 48" (D OVER 42")



IN LOCATIONS WHERE BACKFILL AROUND PROPOSED PIPE CANNOT BE PROPERLY COMPACTED, THE CONCRETE CRADLE SHALL EXTEND TO ENCOMPASS PROPOSED PIPE.



REFERENCE NORTH CENTRAL TEXAS C.O.G. BOOK

NOTE: DETAIL SUBJECT TO CHANGE PER DIRECTION OF CITY OF LEWISVILLE ENGINEERING DIVISION

NOTES:

1. A COMMERCIALY-AVAILABLE MAGNETIC TAPE SHALL BE PLACED 12" ABOVE TOP OF PIPE FOR ALL WATER AND SEWER MAINS.
2. A 3-FOOT LONG (+1 FOOT) CLAY BARRIER (30 < P.I. < 40) SHALL BE PLACED AT 200 - FOOT INTERVALS ALONG ALL MAINS. THIS CLAY BARRIER SHALL BE PLACED 24" ABOVE THE TOP OF PIPE AND FOR THE FULL WIDTH OF THE TRENCH (REPLACING ALL BEDDING, EMBEDMENT AND BACKFILL MATERIALS) AND SHALL BE PLACED AT THE MID POINT OF A LENGTH OF PIPE BEING PLACED, BUT NOT AT A LOCATION WHERE A LATERAL OR SERVICE CONNECTS WITH THE MAIN.



## Standard Details

### Pipe Installation Detail Typical

Revisions:		
No.	Description	Date

Engineering Department	Dated: 4-27-10
	Dated: 09-09-2019
Office No. 972-219-3490	Sheet: 7.12
www.cityoflewisville.com	