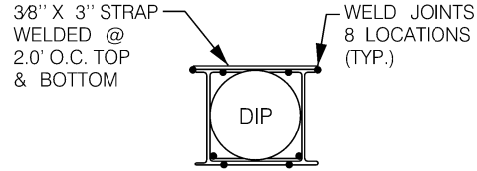
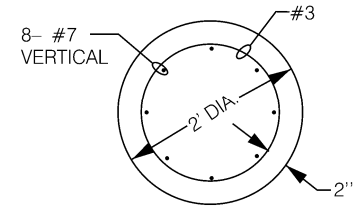


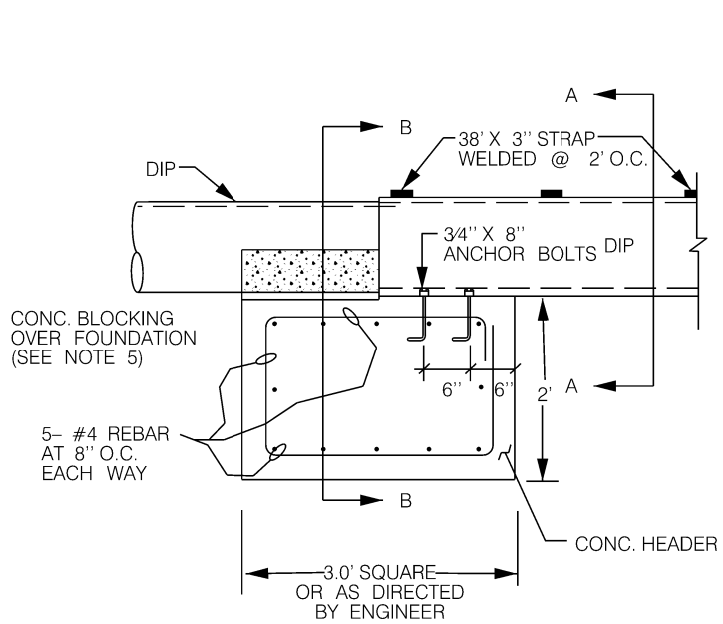
SECTION B-B



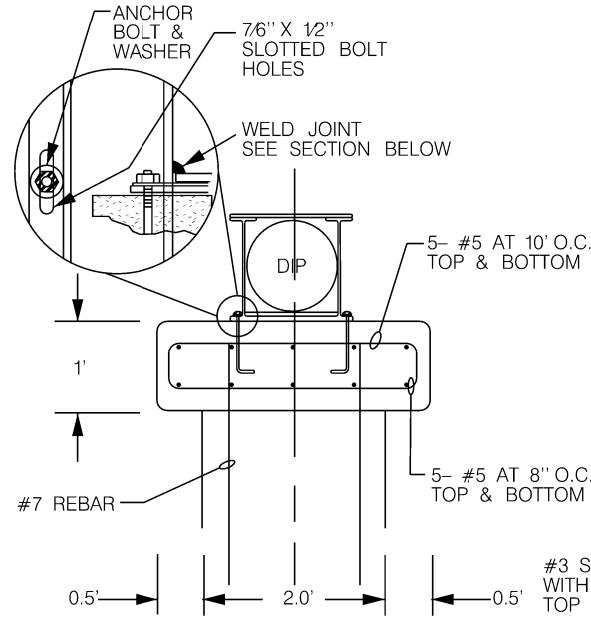
SECTION A-A



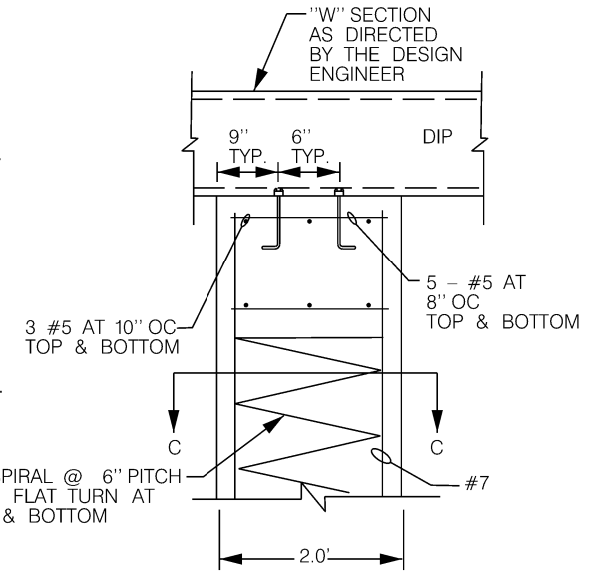
SECTION C-C



CREEK CROSSING DETAIL (TYP)



COLUMN DETAIL



**** SIZE OF THE CARRIER PIPE SHALL NOT EXCEED 12" (IN.) DIAMETER****

NOTE:
DETAIL SUBJECT TO CHANGE PER DIRECTION
OF CITY OF LEWISVILLE ENGINEERING DIVISION



Standard Details
Aerial Crossing

Revisions:		
No.	Description	Date

Engineering Department	Dated: 4-27-10
	Dated: 09-09-2019
Office No. 972-219-3490	Sheet: 7.16a
www.cityoflewisville.com	